

Technical Data Sheet

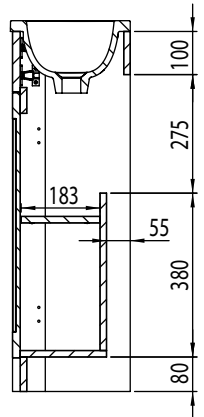
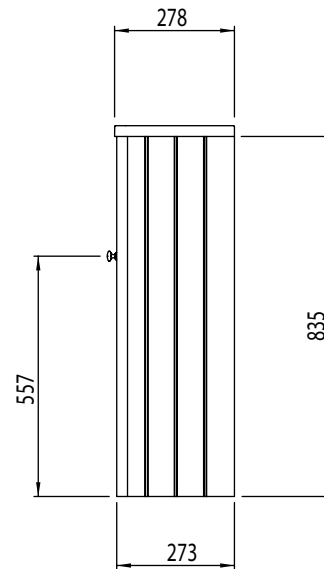
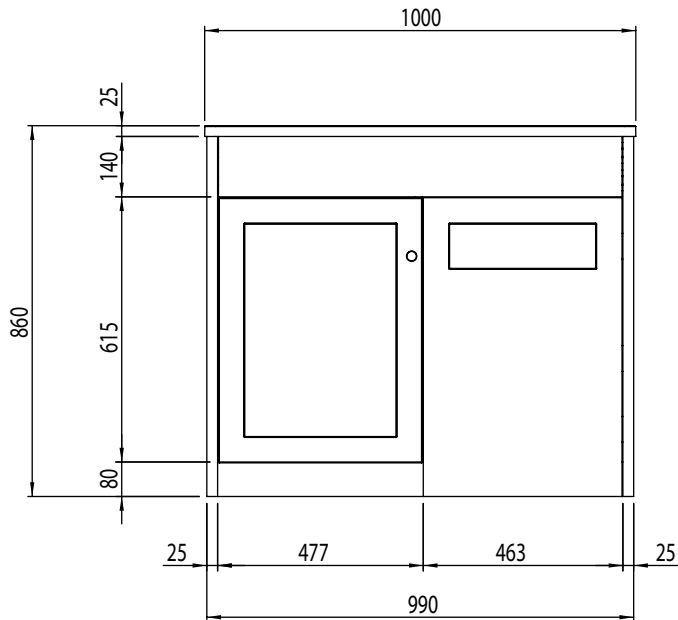
HALCYON 1000mm Combo Unit

Whats in the box: 1x HALL180.X or HALR180.X + Fixings + Handle



Note: Left Hand unit shown.
Reverse dimensions for Right Hand unit.

*Reference basin TDS for further info
(Contour 1000 Iso Basin - CNR180IS or CNL180IS)



Diagrams not to scale
All dimensions in mm
tolerance of +/-5mm

Materials

Carcass: 16mm Painted MDF
Fascia Components: 18mm Painted MDF

**Dimensions are subject to change, customers are advised to measure actual product before commencing installation.
***Fixing point dimensions are for guidance only/the positions of wall fixing must be checked when product is received.

FAQs

- | | |
|--|--|
| Q: How big is the plumbing void? | A: 55mm. |
| Q: Is the handle fitted? | A: No, handle needs fixing. |
| Q: How far apart are the hole centres for the handles? | A: N/A. |
| Q: Are the hinges soft close? | A: The hinges are both soft close and quick release. |
| Q: Can the doors be adjusted? | A: The doors can be adjusted as detailed in the supplied instructions. |
| Q: How deep is the unit with doors open? | A: Approx 730mm at 90°. |
| Q: Is the shelf removable? | A: Yes, the shelf can be removed. |
| Q: What is the shelf capacity? | A: Shelf max depth: 183mm. |
| Q: How many shelves are there? | A: There is one shelf and a base within the unit. |
| Q: Is the shelf adjustable? | A: No, the shelf isn't adjustable. |
| Q: What is the interior finish of the unit? | A: The unit interior is the same finish as the exterior. |
| Q: Are the fascia's removable? | A: Yes, they are on quick release clips. |
| Q: Can a wall hung frame be used inside the BTW unit? | A: Yes, refer to brochure for correct sizing and references. |

NOTE: Colours unique to R2 - No RAL Code available