

Wall Mounted Unit

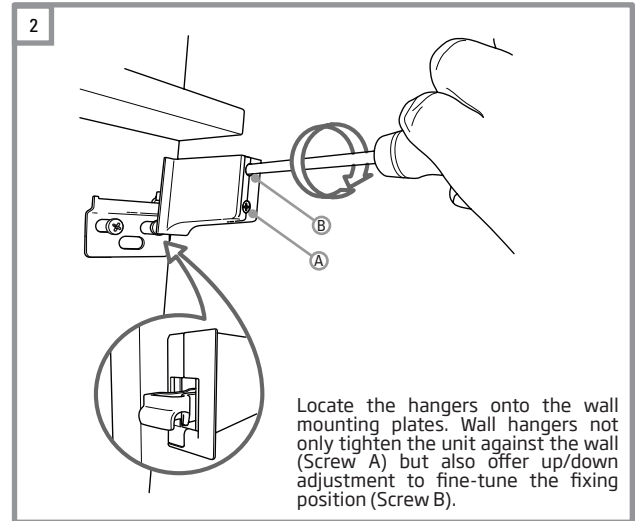
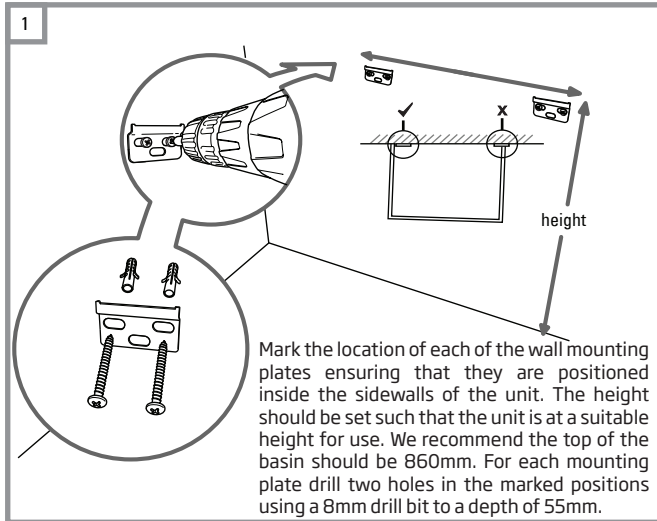
Please retain for future reference

DR4011.X / INST0421X

Installation and Fitting Instructions

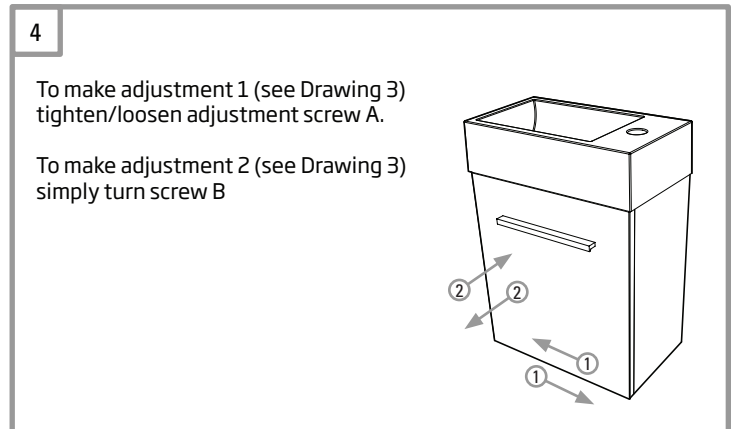
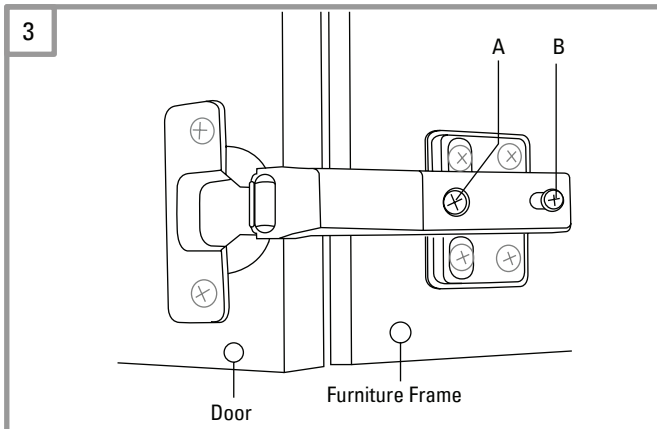
Before you start

It is recommended that all units and basins are secured to a suitably reinforced wall to ensure stability. Wall plugs supplied are only suitable for solid stone / brick wall. For plasterboard walls use specialist wall plugs, if in any doubt please consult an expert. Wear suitable eye protection when drilling. Take care when using power tools near water - the use of a residual current device (RCD) is recommended. Beware of hidden pipes or cables. Take care when drilling tiled surfaces as the drill might slip. Use a piece of masking tape to prevent the drill from wandering.



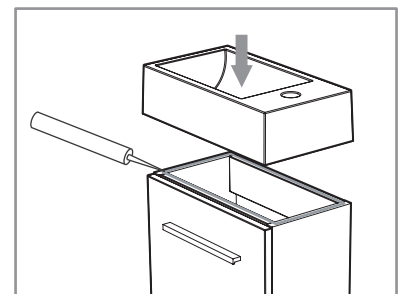
Hinge Adjustment

Hinges may require adjustment for correct door alignment. This is achieved with the adjustable soft close hinges using the adjustment screws A and B (see Drawing 3)



Fitting the Basin


Once the basin has been plumbed in, finish by securing to the washstand using a silicone sealant (not supplied).

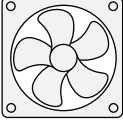



Furniture Aftercare Instructions


As with all wooden furniture, this unit should be treated with care:

We recommend...

 Wipe away any water splashes or condensation after use. Excessive exposure to water will deteriorate the furniture.


 All bathrooms should be well ventilated with a suitable extractor fan.


 Clean with a soft damp cloth only.

 Use a wax free polish if one must be used.

For removal of lime scale deposits use a suitable proprietary cleaner. If necessary test on an inconspicuous area first.

Please DO NOT...

 Do not scrub or scour

 Do not use abrasive cleaning agents

Replacement components

Should you require any replacement components for this product please contact customer services using the contact details below.

Isocast Basin Aftercare Instructions

On first fitting of the basin it will need to be cleaned after installation as there may be some manufacturing residue from the polishing process. The best way to do this is with a microfiber cloth and water, or white spirit. Other bathroom cleaning products can also be used as below.

The isocast basin is made of a non-porous material and as such it can be wiped clean with a damp cloth or sponge using mild detergents or soapy water. **DO NOT** use abrasive cleaning solutions. Where possible avoid sliding hard or sharp objects on the surface to prevent scratches. Strong acids such as those found in drain cleaners, toilet cleaners, paint removers and cleaners containing methylene chloride or acetone (nail polish remover) should be used very cautiously around the isocast material. Should these products come in contact with the surface, quickly flush the surface with plenty of soapy water.

Any residue and spills from, shampoo, toothpaste, mouthwash, etc. should be cleaned immediately with soapy water to ensure no damage occurs.