



radar

CLOSE COUPLED
OPEN BACK PAN

No.	Description	Product Code	Fixings included
1	Cistern inc. Flush Fitting & Lid	RA620CCP2	Yes
2	Toilet Seat	RASCTS	Yes
3	Close Coupled Pan	RA645CCP	Yes

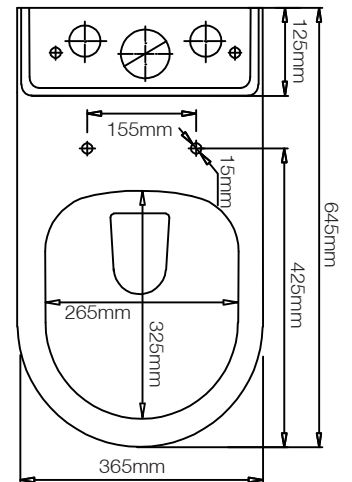
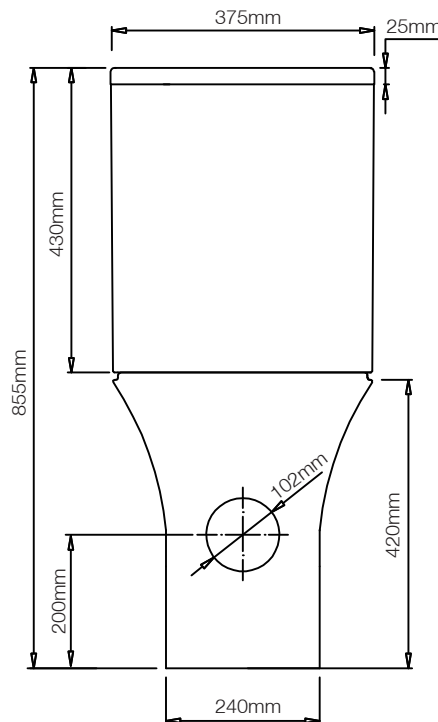
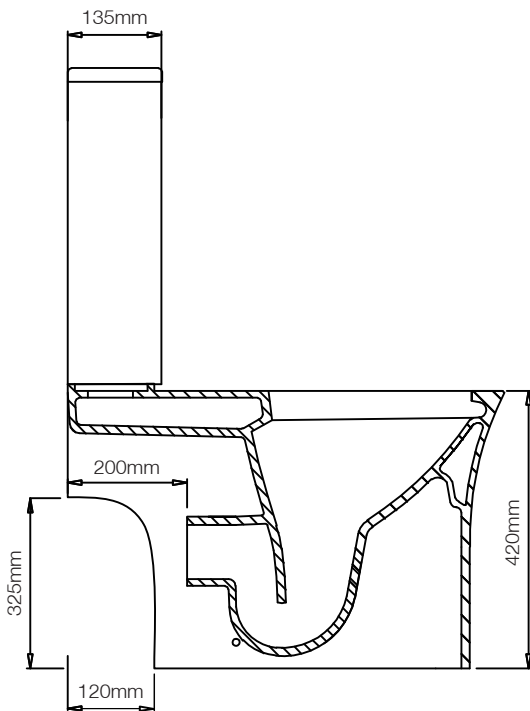
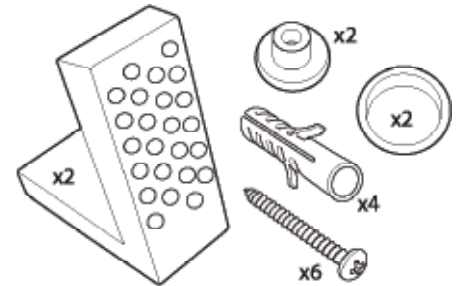


Cistern Settings:

Full Flush Volume: 4.5L

Reduced Flush Volume: 3L

Floor Fixing Kit:



DIAGRAMS NOT TO SCALE
ALL DIMENSIONS IN MM
TOLERANCE OF ± 5MM

FAQ's

What side is the inlet located? **Left hand side**

Are there any other compatible seats? **Yes - Wrap over SC seat (DSCTS2)**

Can this pan be used with a side connection outlet pipe? **Yes**

The cistern lid won't shut/the cistern isn't working correctly. **Ensure the inlet and flush valves are set to the correct heights.**

What is the width of the footprint? **Front to Back = 465mm, Left to Right = 240mm**



radar

CLOSE COUPLED
OPEN BACK PAN

No.	Description	Product Code	Fixings included
1	Cistern inc. Flush Fitting & Lid	RA453CCC	Yes
2	Toilet Seat	RASCTS	Yes
3	Close Coupled Pan	RA645CCP	Yes

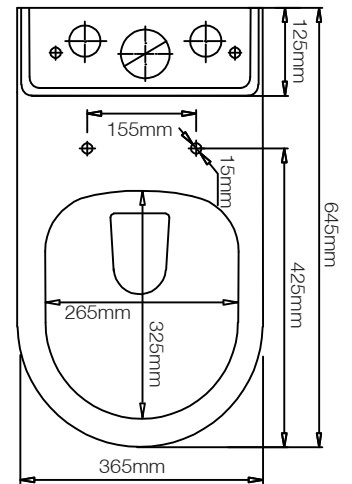
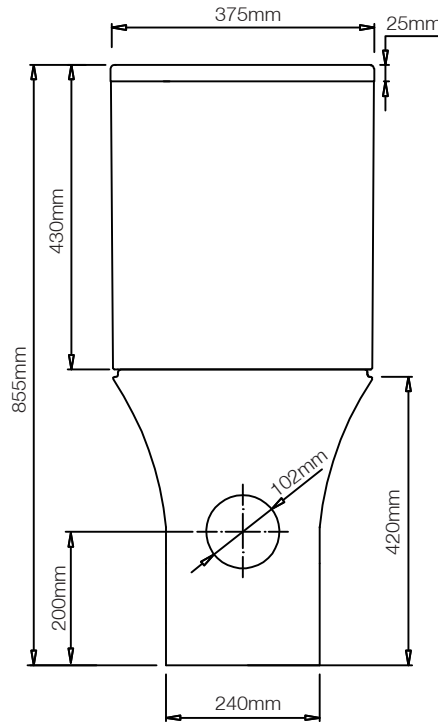
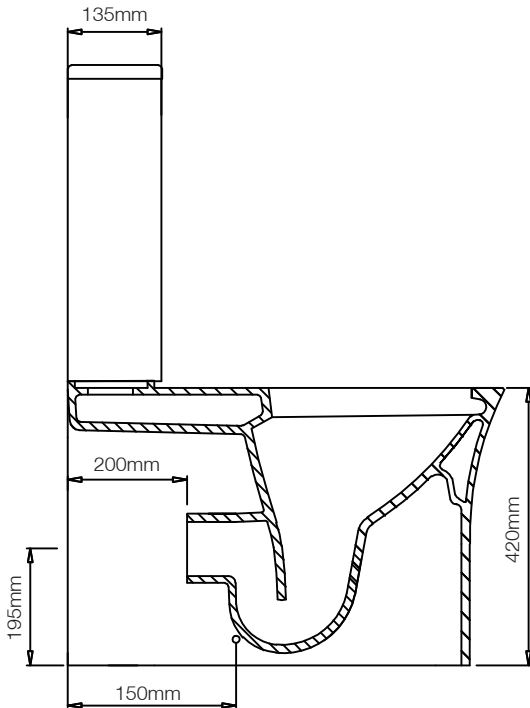
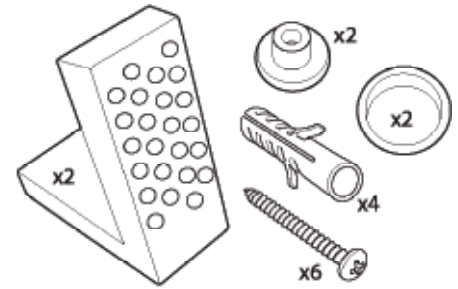


Cistern Settings:

Full Flush Volume: 4.5L

Reduced Flush Volume: 3L

Floor Fixing Kit:



DIAGRAMS NOT TO SCALE
ALL DIMENSIONS IN MM
TOLERANCE OF ± 5MM

FAQ's

What side is the inlet located? **Left hand side**

Are there any other compatible seats? **Yes - Wrap over SC seat (DSCTS2)**

Can this pan be used with a side connection outlet pipe? **No**

The cistern lid won't shut/the cistern isn't working correctly. **Ensure the inlet and flush valves are set to the correct heights.**

What is the width of the footprint? **Front = 230mm, Centre = 250mm, Back = 245mm**

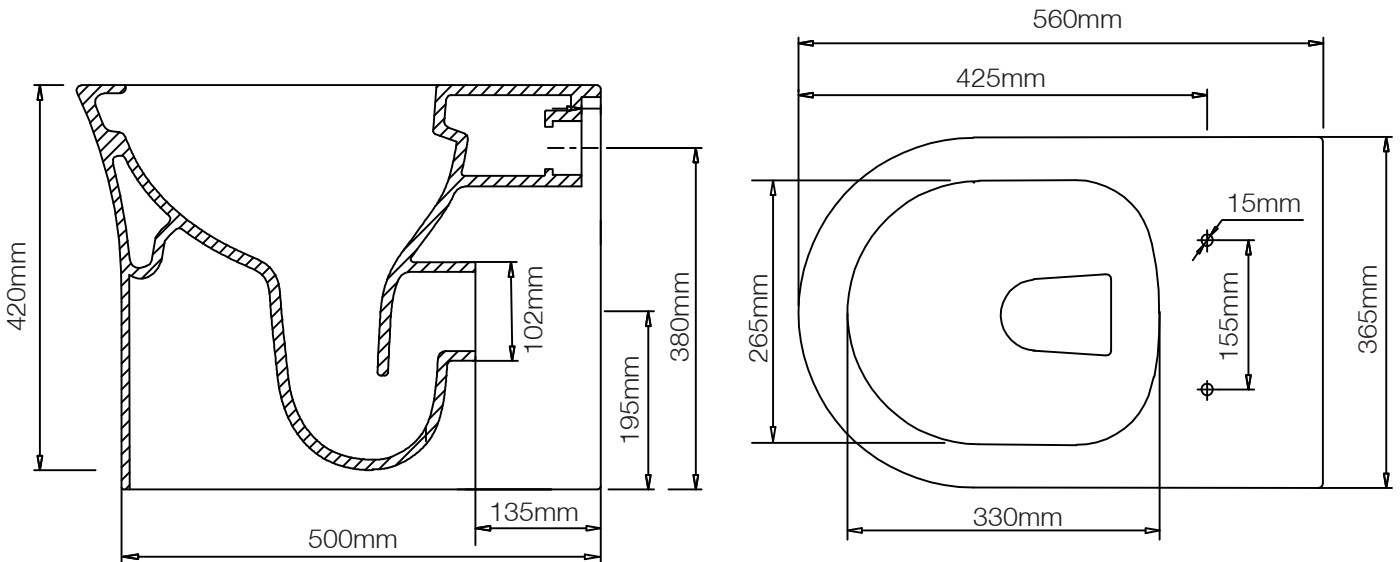
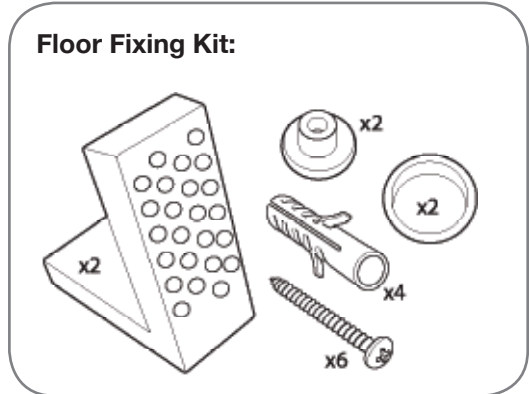
What is the depth of the footprint? **585mm**



radar

BACK TO WALL PAN

No.	Description	Product Code	Fixings included
1	Toilet Seat	RASCTS	Yes
2	Back to Wall Pan	RA560BTW	Yes



DIAGRAMS NOT TO SCALE
ALL DIMENSIONS IN MM
TOLERANCE OF ± 5MM

FAQ's

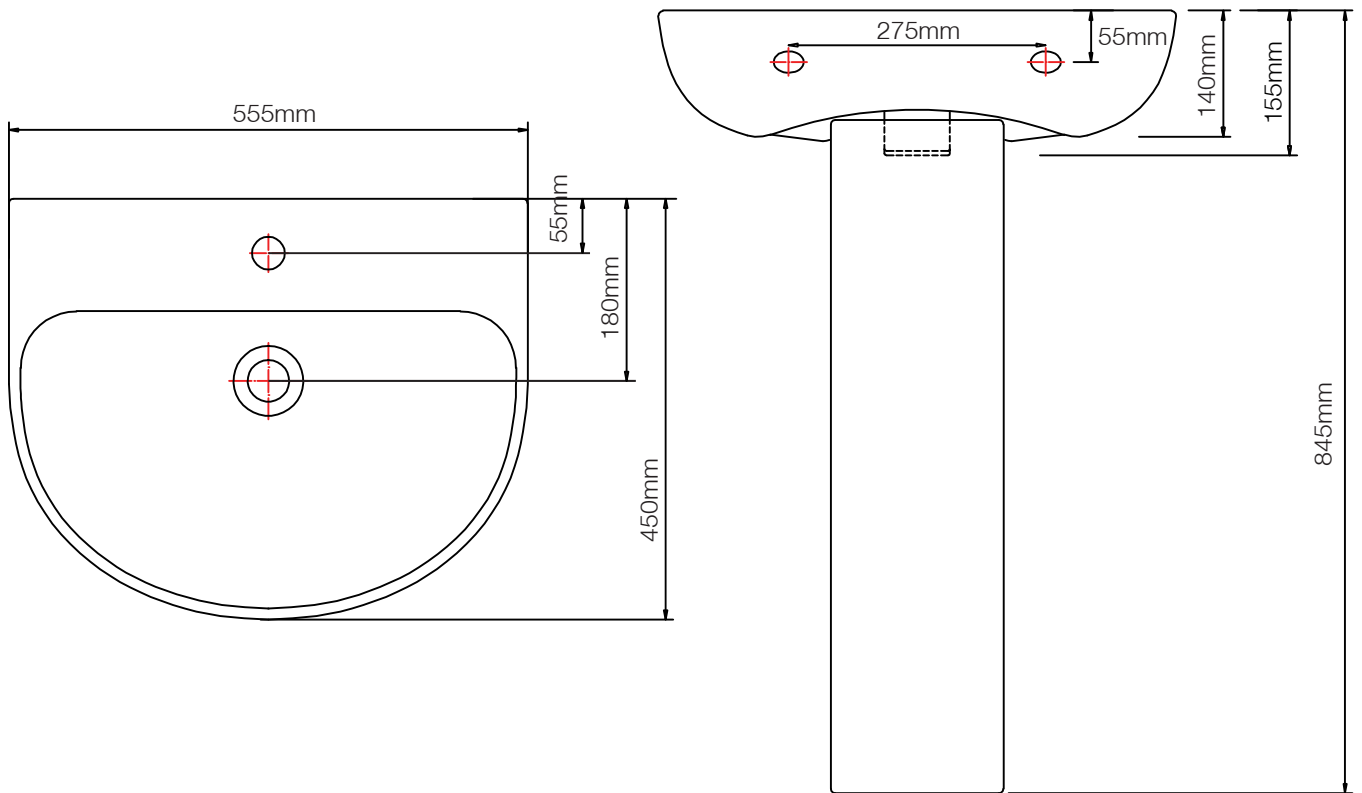
- Are there any other compatible seats? **No**
- What is the footprint width (front)? **235mm**
- What is the footprint width (back)? **240mm**
- What is the footprint width (centre)? **240mm**
- Is there a back brace? **Yes , 100mm from the top**



radar

550 BASIN & PEDESTAL

No.	Description	Product Code	Fixings included
1	550 Large Basin	RA550SB	Yes
2	Pedestal	RARDPED	Yes



DIAGRAMS NOT TO SCALE
ALL DIMENSIONS IN MM
TOLERANCE OF ± 5 MM

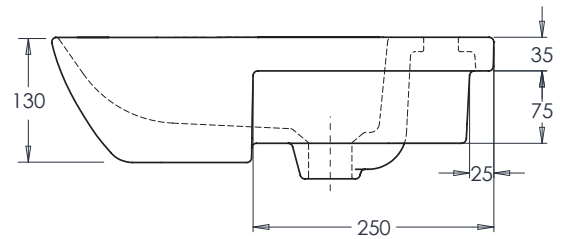
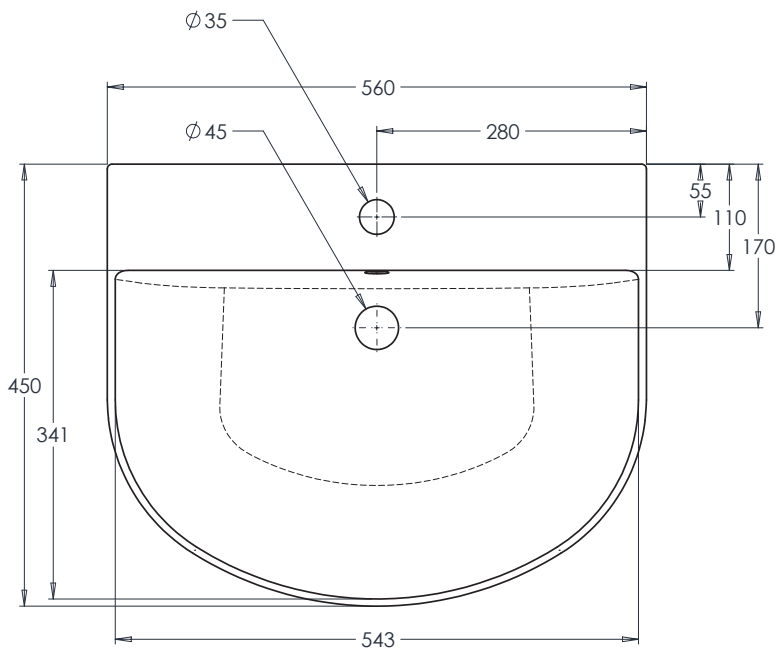
Height of basin overflow: **66mm**



radar

SCT BASIN STD
DEPTH

No.	Description	Product Code	Fixings included
1	SCT Basin STD Depth	DC14004	N/A



DIAGRAMS NOT TO SCALE
ALL DIMENSIONS IN MM
TOLERANCE OF ± 5 MM

FAQ's

Tap hole centre to waste centre? **120mm**

How is the basin fixed to the furniture? **Fix to workshop with silicone as per instructions supplied.**

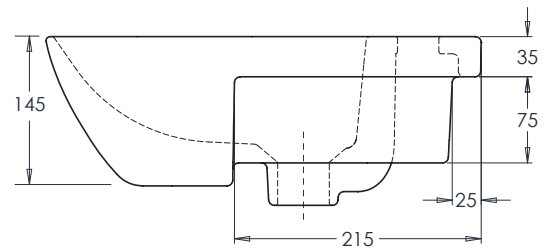
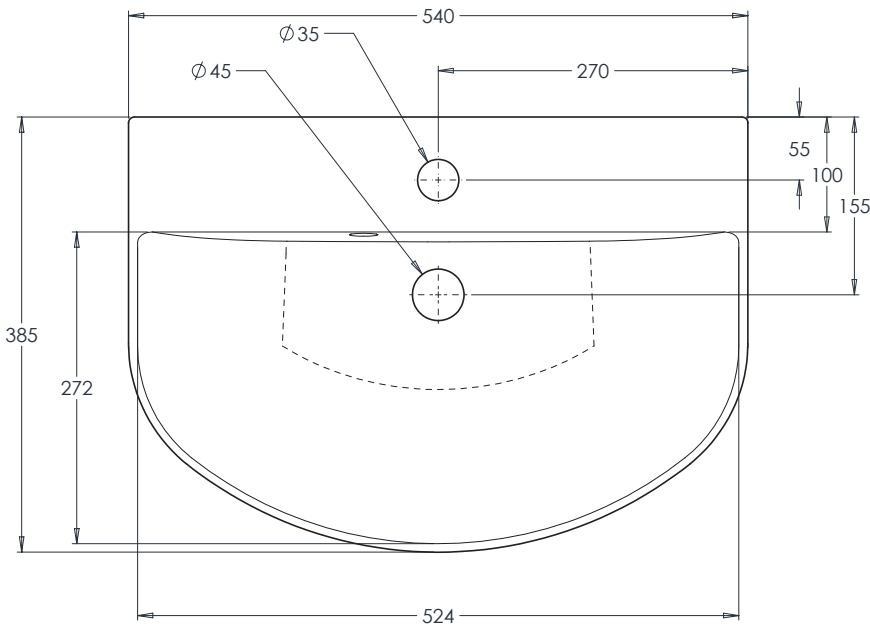
Is a fitting template supplied? **Yes**



radar

SCT BASIN SLIM DEPTH

No.	Description	Product Code	Fixings included
1	SCT Basin SLIM Depth	DC14005	N/A



DIAGRAMS NOT TO SCALE
ALL DIMENSIONS IN MM
TOLERANCE OF ± 5 MM

FAQ's

Tap hole centre to waste centre? **120mm**

How is the basin fixed to the furniture? **Fix to workshop with silicone as per instructions supplied.**

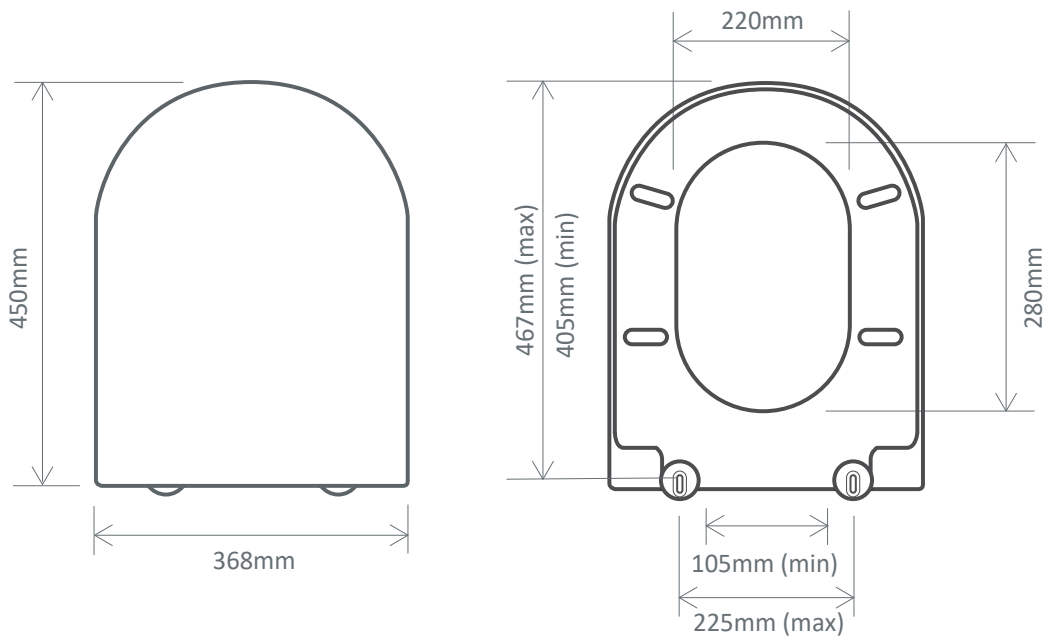
Is a fitting template supplied? **Yes**



radar

Slim Toilet Seat

No.	Description	Product Code	Fixings included
1	Slim Toilet Seat	DSCTS	Yes



DIAGRAMS NOT TO SCALE
ALL DIMENSIONS IN MM
TOLERANCE OF ± 5 MM

FAQ's

What is the overall thickness? **120mm**

How is the basin fixed to the furniture? **Fix to workshop with silicone as per instructions supplied.**

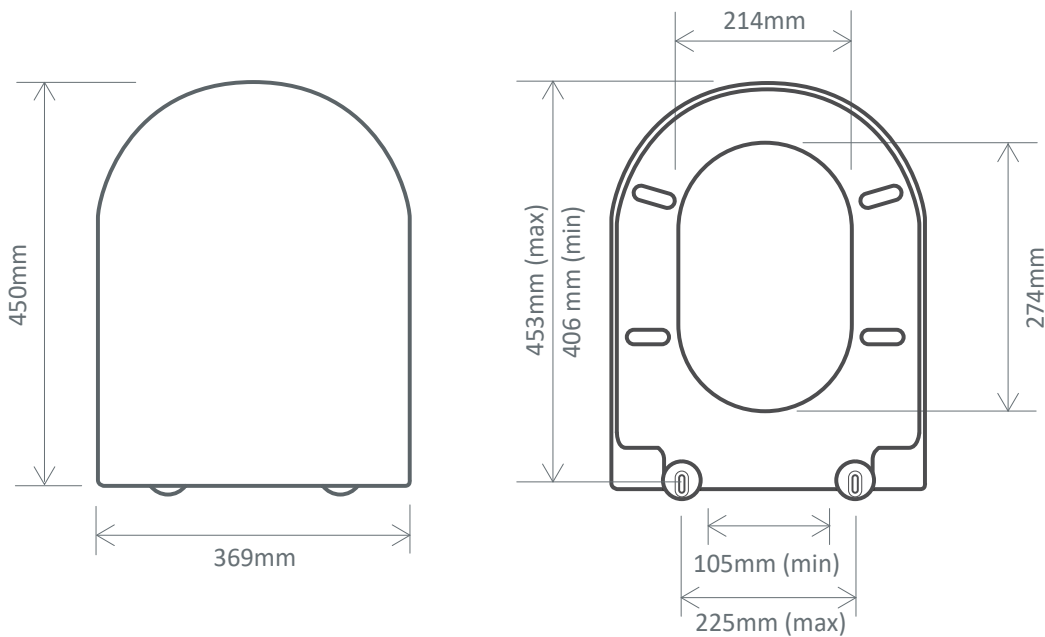
Is a fitting template supplied? **Yes**



radar

Slim Toilet Seat

No.	Description	Product Code	Fixings included
1	Slim Toilet Seat	DSCTS2	Yes



DIAGRAMS NOT TO SCALE
ALL DIMENSIONS IN MM
TOLERANCE OF ± 5 MM

FAQ's

Taphole centre to waste centre? **120mm**

How is the basin fixed to the furniture? **Fix to workshop with silicone as per instructions supplied.**

Is a fitting template supplied? **Yes**