

Halcyon Floormounted Unit

HAL5010.x/HAL6010.x

Please retain for future reference

R2

Installation and Fitting Instructions

Before you start

It is recommended that the unit and basin are secured to a suitably reinforced wall to ensure stability, this should be done via the upper cross brace using suitable fixings (not supplied). Any cuts made into the brace or other parts must be re-sealed to prevent any water ingress.

Wear suitable eye protection when drilling. Take care when using power tools near water - the use of a residual current device (RCD) is recommended. Beware of hidden pipes or cables. Take care when drilling tiled surfaces as the drill might slip. Use a piece of masking tape to prevent the drill from wandering.

Hinge Adjustment

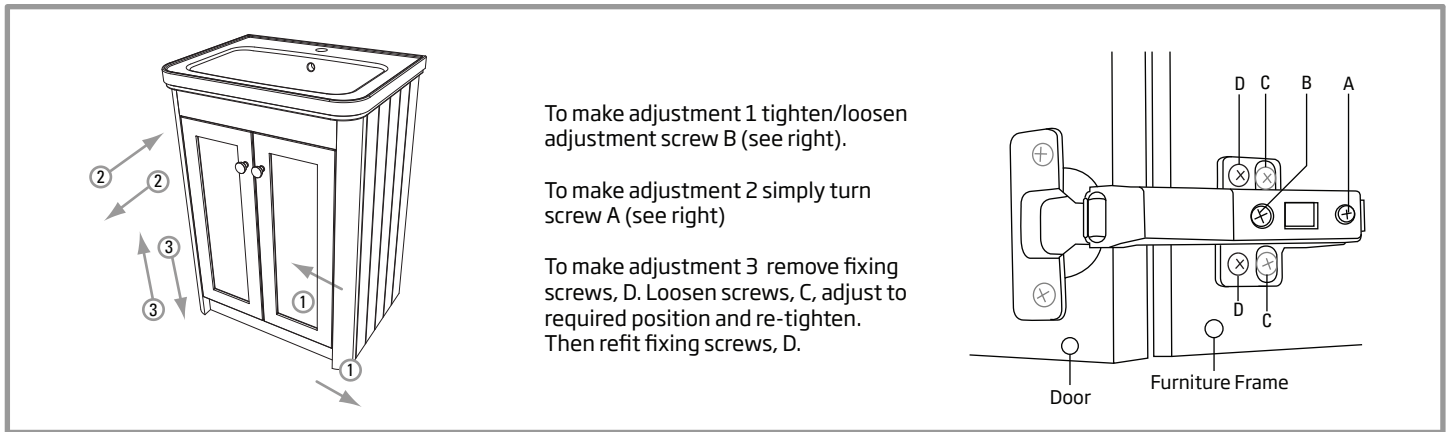


Figure 1

FITTING HANDLES

- A pilot hole located at the back of the door can be drilled if using a single screw knob.
- If you have chosen a pull handle with 2 screws then please pilot and then drill through the door with the handles in the desired location.
- Carefully drill any holes using a clamped block of wood to protect the front of door - See figure 1.
- The handles can simply be screwed into place using the screws supplied.
- If you choose third party handles please measure carefully before drilling.

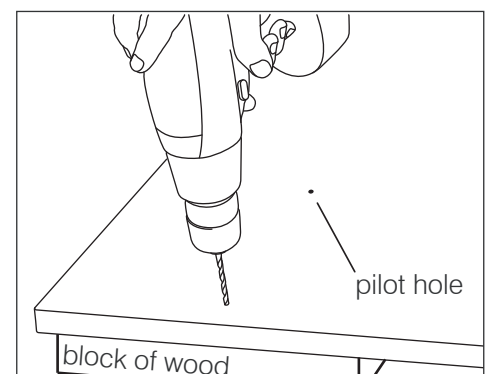


Figure 2



Customer Services
R2
Brassmill Lane Trading Estate
Bath
BA1 3JF
t: 01225 303900

REF: HALFM.GW.V1.0

Halcyon Floormounted Unit

HAL5010.x/HAL6010.x

Please retain for future reference

R2

Fitting the Basin

Once the basin has been plumbed in, finish by securing to the washstand using a silicone sealant (not supplied) on all 4 top furniture faces. See Figure 3.

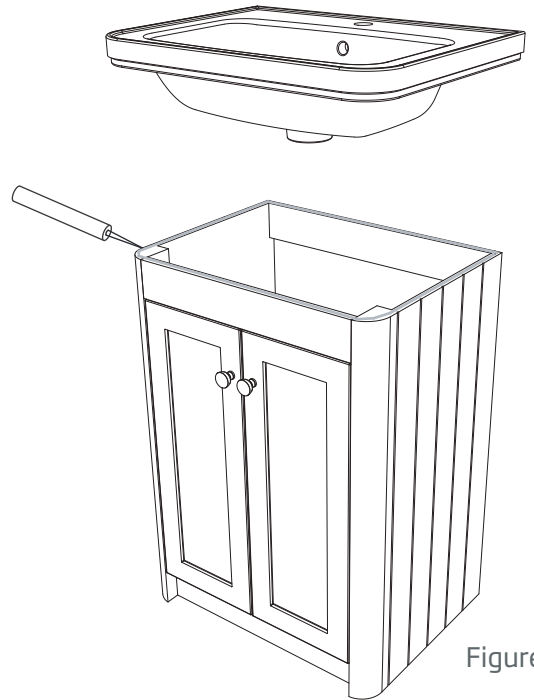


Figure 3

Furniture Aftercare Instructions

As with all wooden furniture, this unit should be treated with care:

We recommend...

- Wipe away any water splashes or condensation after use. Excessive exposure to water will deteriorate the furniture.
- All bathrooms should be well ventilated with a suitable extractor fan.
- Clean with a soft damp cloth only.
- Use a wax free polish if one must be used.
- For removal of lime scale deposits use a suitable proprietary cleaner. If necessary test on an inconspicuous area first.

Please DO NOT...

- Do not scrub or scour
- Do not use abrasive cleaning agents

Replacement components

Should you require any replacement components for this product please contact R2 Customer Services using the contact details below.

R2

Customer Services
R2
Brassmill Lane Trading Estate
Bath
BA1 3JF
t: 01225 303900

REF: HALFM.GW.V1.0